

York Aluminum Aluminum Windows

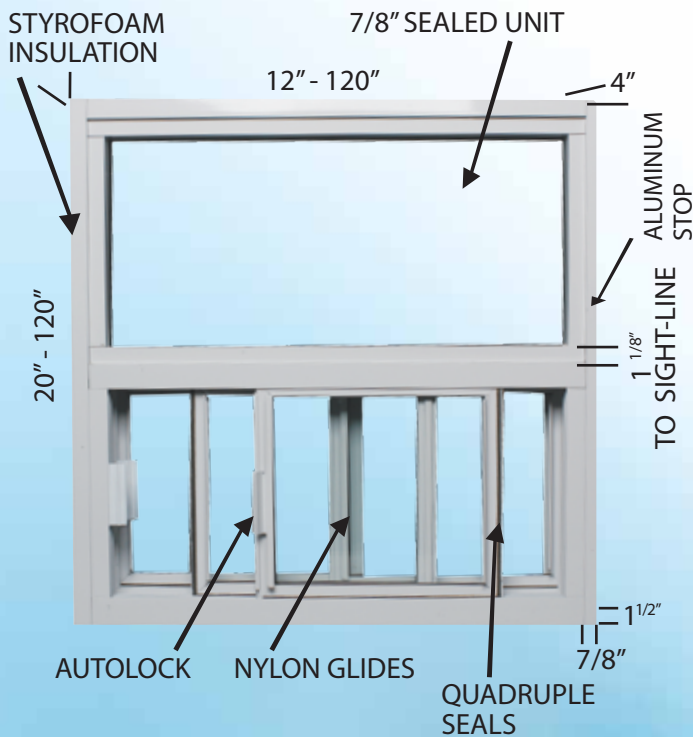


Over forty styles to choose from

- Custom Homes
- Health Care
- Office
- Churches
- Restaurants
- Multi Family
- Residential
- Industrial
- Education



York Aluminum Aluminum Windows



Fixed Fixed / 4 Panel Slider 4 Panel Slider

Features:

- Continuous positive pressure seal with aluminum stops
- Narrow sight lines
- Nylon glides



Test Results

	Fixed	Slider
Air:	Pass	A3
Water:	B6	B7
Structural:	C5	C3
Test Size:	78"W x 78"H (2000 x 2000mm)	62"W x 39"H (1600 x 1000mm)

Popular Combinations:



Double Hung Tilt

Features:

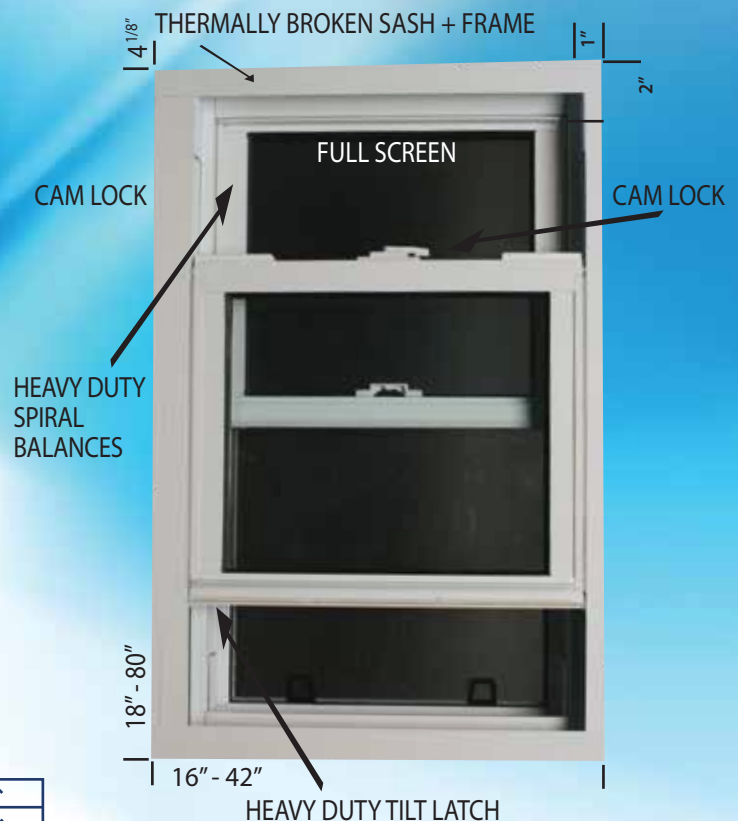
- Two-tone colours available
- Thermally broken sash and frame
- Tilt-in option for easy cleaning
- Available in double or single hung configuration



Test Results

Air:	A3
Water:	B3
Structural:	C3
Test Size:	39"W x 62"H (1000 x 1600mm)

Popular Combinations:



York Aluminum Aluminum Windows



Awning Casement

Features:

- Concealed hinges
- Bevelled sash
- Sash flush with frame, no unsightly overlap



Test Results

	Casement	Awning
Air:	A3	A3
Water:	B7	B7
Structural:	C3	C4
Test Size:	32"W x 72"H (815 x 1830mm)	39"W x 39"H (1000 x 1000mm)



Popular Combinations:



Double Slider Tilt

Features:

- Thermally broken sash and frame
- Double or single slider configurations

Test Results

Air:	A3
Water:	B2
Structural:	C2
Test Size:	62"W x 39"H 1600 x 1000mm)



Popular Combinations:



Finishes

ALL PRODUCTS AVAILABLE IN TWO TONE COLOURS

Colours are: white, black, chocolate brown, commercial brown, ivory, sandalwood, clear anodized
CUSTOM COLOURS ARE AVAILABLE

Options

- Limit locks
- Bay and Bow windows
- Round Tops
- Specialty Shapes
- Decorative Grills

Glazing Options

- Low-E
- Argon gas
- Frosted glass
- Tinted glass
- Tempered
- Triple Glazed



York Aluminum

Rexdale, Ontario

www.yorkaluminum.com